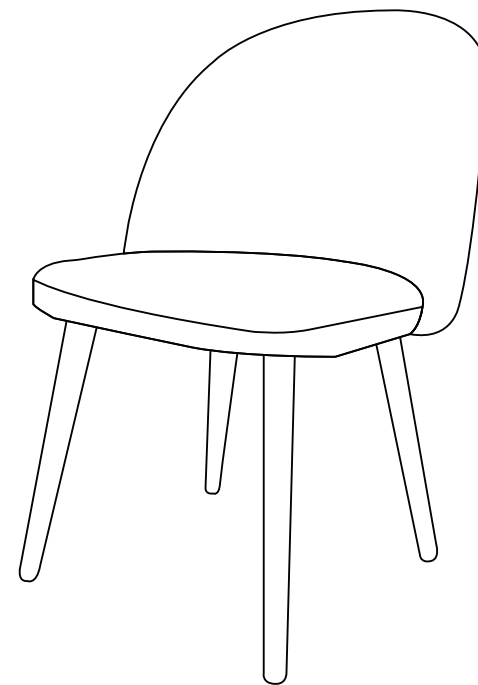
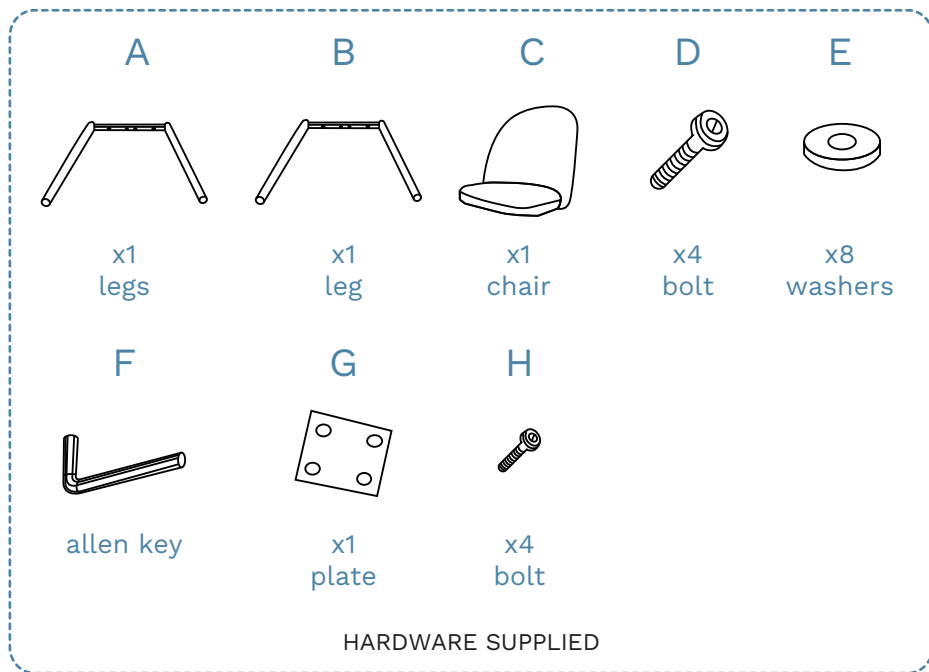


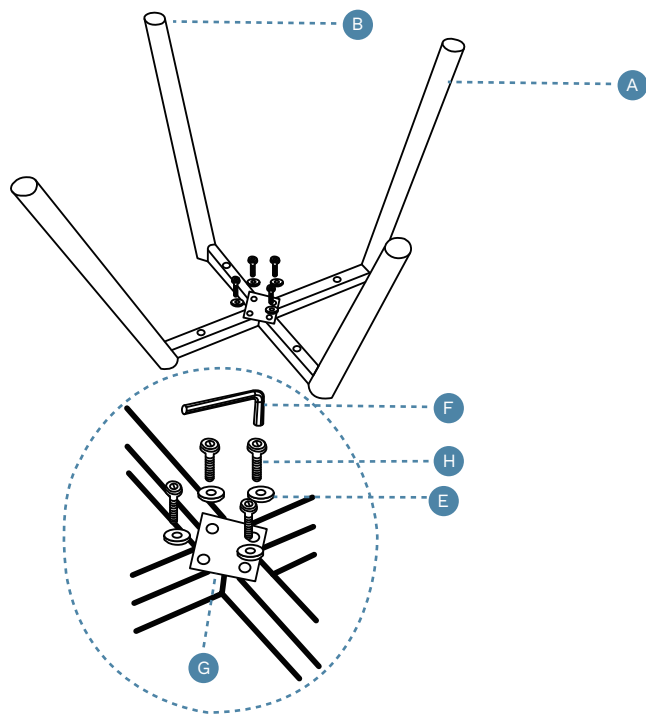
# Londyn Dining Chair

Thank you for purchasing Londyn Dining Chair. Please follow the manufacturer's assembly instructions in detail.



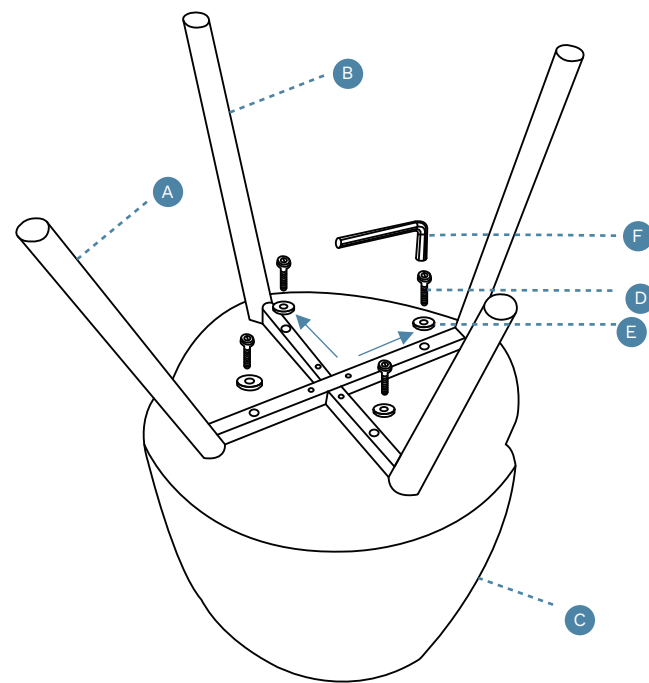
# Londyn Dining Chair

1



Attach 1 x leg (A) and 1 x leg (B) together as shown and secure with 1 x plate (G), 4 x bolts (H) and 4 x washers (E). Tighten with an Allen Key (F).

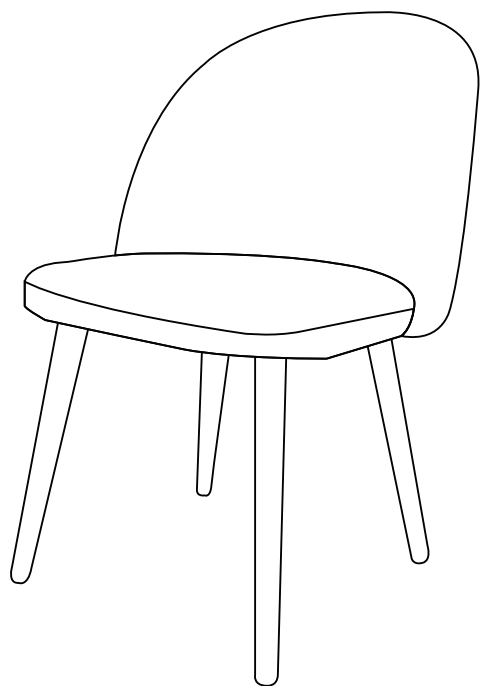
2



Attach assembled frame to chair as shown and secure with 4 x bolts (D) and 4 x washers (E). Tighten with an Allen Key (F).

# Londyn Dining Chair

## 3



Once assembled lift furniture into place, do not drag. Ensure unit is balanced and steady before use. You're done, enjoy!